



### APPLICATIONS

- Optimized high-output sub-bass companion subwoofer
- Performing Arts Centers
- Commercial Theatre
- Houses of Worship
- AV Rental House
- Nightclubs

## BL218SSi-B

The BL218SSi-B is a high-output sub-bass companion subwoofer optimized for sound systems requiring extended low frequency response and the highest quality audio reproduction.

### FEATURES



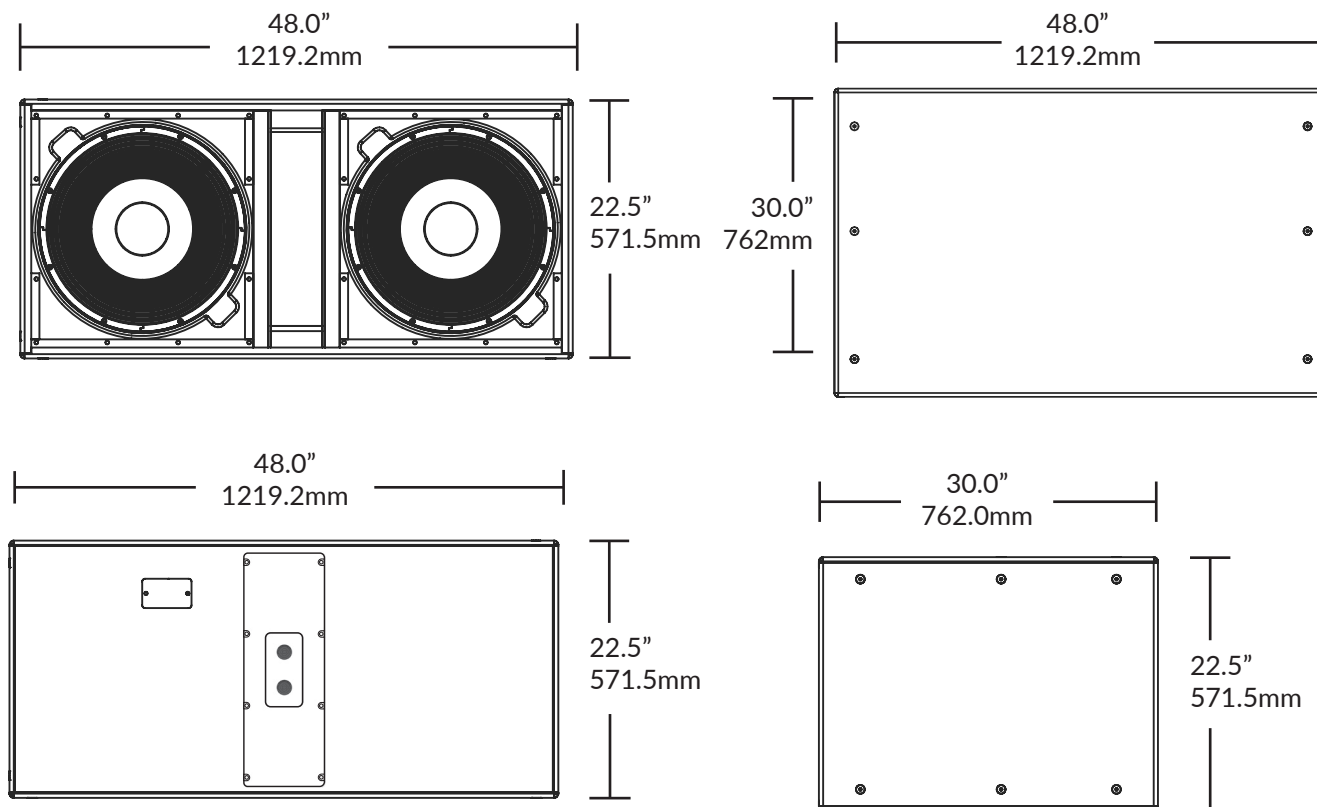
Offering full integration with Blaze Power Zone Connect 3004 amplifiers, the BL218SSi-B is designed to satisfy the need for an extreme high

SPL sub bass loudspeaker system. The system is capable of 5000W of stunning low-end response, making it ideal for low-frequency sections in multi-way loudspeaker systems or as a sub bass section in sound systems requiring extended low frequency response and superior audio reproduction.

The Blaze BL218SSi-B utilizes two direct radiating 18-inch, 2,500W cone drivers in a tuned enclosure—providing maximum output with minimal distortion and smooth extended low frequency response. The tour-tested 21-ply Baltic Birch highly braced enclosure and 24 mm thick baffle board construction provide unsurpassed rigidity and strength. The enclosure is configurable for use in cardioid or end-fire arrays.

- 5000W of stunning low-end response
- Symmetrical dispersion pattern.
- The Blaze BL218SS is designed to satisfy the need for an extreme high SPL sub bass loudspeaker system.
- Components have been selected solely for their performance.
- The Blaze BL218SS utilizes two direct radiating 18-inch, 2500W cone driver in a tuned enclosure, which provides maximum output with minimal distortion and smooth extended low frequency response.
- The tour-tested 21 ply Baltic Birch highly braced enclosure and 24 mm thick baffle board construction provide unsurpassed rigidity and strength.
- Configurable as in cardioid, or end-fire arrays.
- Fully integrates with Blaze Audio's PowerZone™ Connect amplifiers (3004 or higher).

# TECHNICAL SPECIFICATIONS



## SYSTEM PERFORMANCE

Frequency Response (-3dB)	25 Hz - 150 Hz
Frequency Range (-10 dB)	18 Hz - 150 Hz
Recommended High-Pass Filter	20 Hz - with minimum 24 dB / octave (4th order) Butterworth slope
Nominal Directivity (-6 dB)	Omni or cardioid
Recommended Crossover Frequency	90 Hz (acoustic, active, external DSP)
RMS Handling Capacity**	LF: 5000 W
Maximum SPL @ 1 Meter***	143 db (Blaze Audio preset)
Transducer Components	LF: 18" (457.2 mm) x 2
Transducer Nominal Impedance	LF = 4 ohms

## PHYSICAL CHARACTERISTICS

Enclosure	Baltic birch plywood, engineered plastics, and aluminum frame
Finish	Two-part spray catalyzed Polyurea coating on plywood
Grille	14-gauge (1.0 mm) perforated stainless steel, powder-coated finish, black
Environmental	Indoor use only
Connectors/Bi-Amp	Two (2) parallel-wired NL4 Neutrik® speakON® connectors
Suspension/Mounting	Internal bracket w/ threaded 0.375" Flying points (x17)
Dimensions (HxWxD)	22.5" H x 48.0" W x 30.0" D (571.5 mm x 1,219.2 mm x 762.0 mm)
Net Weight	285 lb. (129.27 kg)
Shipping Weight	295 lb. (133.80 kg)
Product Version	BL218SSi-B

\*Frequency response and range measured on-axis with anechoic environment. \*\* Power handling tested using pink noise filtered to meet IEC 268-5, 6 dB crest factor, 100 hours, with recommended EQ. \*\*\* Peak level measured at 1m under free field conditions using 10 dB crest factor pink noise with specified ([Blaze Audio] preset) and corresponding EQ settings.

Rev A 15/01/2025